



ROLLY TASKER SAILS SPAIN

Standard MAINSAIL AND MIZZEN MEASUREMENT SHEETS

IN TOTAL 3 SHEETS SHEET 1

Yellow Boxes Information
SHOULD be given

Blue Boxes
Information optional

Rig dimensions in metres:

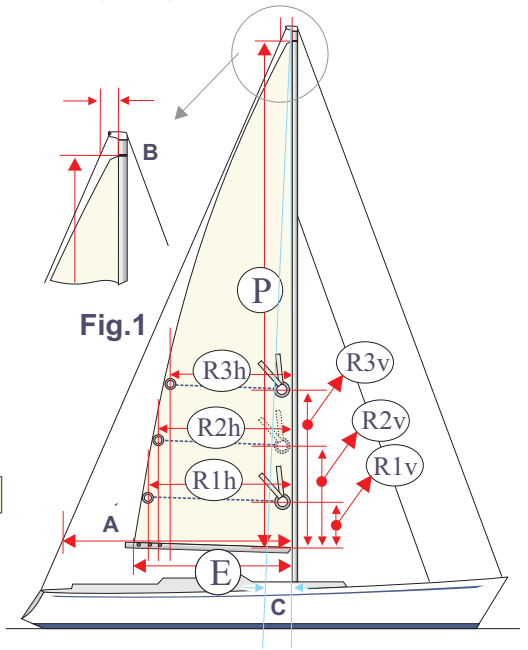
Main: P E

Mizzen: Py Ey

Backstay adjustable: yes/no Mast: straight / curved yes/no

Max. Curvature cm Position Half Height P? yes/no

Mast rake: measured at deck height - see Fig 1 C, yes/no cm



Dimension of Main and Mizzen in metres:

(P Luff measured from top of boom to top of head Fig 1 and Fig 4)
(E Foot measured from back of mast to centre bolt Fig 1 and Fig 5)

Mainsail: Luff Foot Weight gr Area m²

Distance from back of mast to backstay (measured at height of horizontal boom) see Fig 1 A m

Distance from back of mast to backstay (measured at height of sail top/head) see Fig 1 B m

Sailcloth: Standard is **Dacron** (yes/no) or: **High Aspect** (yes/no) or **Cruising Laminate** (yes/no)

Cut: Standard is **Crosscut**(yes/no) or: **Two-ply Leach** (yes/no) or **Bi-radial** (yes/no)
or: **Tri-radial** (yes/no) or **Crescent Cut** (yes/no)

Notes:

A :Back of mast to centre bolt = mm Reefing hook:(yes/no) H :Back of mast to reefing hook = mm

E :Top of boom to centre bolt = mm

C :Top of boom to sail insertion = mm

Outhaul Car:
(yes/no)

Fig.6

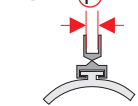


Fig.5

Foot measured from back of mast to centre bolt

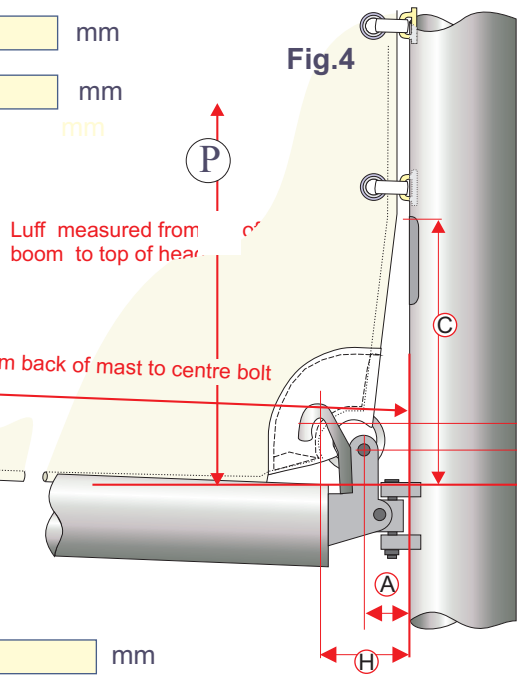
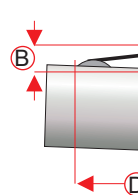


Fig.4

Luff measured from boom to top of head

= mm

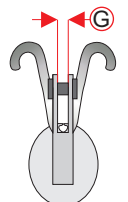
I : Top of boom to reefing hook = mm

= mm

G :Width of tack eye = mm

= mm

Fig.7



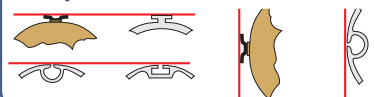
B :Top of boom to centre bolt of outhaul car = mm

F :Width of outhaul pulley/shackle = mm

D :End of boom to centre bolt = mm

Fig.8

Top of Boom Back of Mast





ROLLY TASKER SAILS SPAIN

Standard MAINSAIL AND MIZZEN MEASUREMENT SHEETS

IN TOTAL 3 SHEETS SHEET 2

Standard: we deliver the sail with a clew ring (yes/no) see sail specification www.VelasRollyTasker.es

Optional clew with a pressed eye (yes/no)

Sail Number: (yes/no) No. Flo Stripe: (yes/no) Colour: black / blue / red

Luff: battenslide car system (yes/no)

If yes, give details on next page see **Fig 10**. For other luff systems see - **Fig. 3**

LUFF attached to mast with : 1 (boltrope) or 2 3 4 in **Fig. 3**

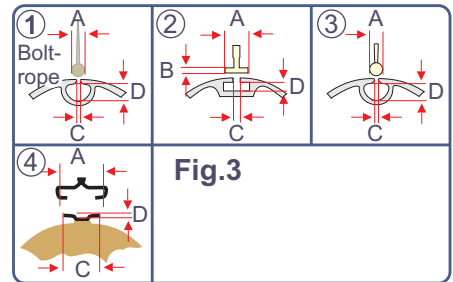
A= mm B= mm C= mm D= mm

Slide model No.: Length mm

FOOT attached to boom with : Free-flying foot: (yes/no)
or 1 (boltrope) or 2 3 4 in Fig. 3

A= mm B= mm C= mm D= mm

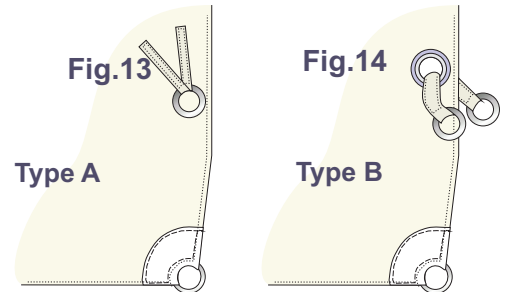
Slide model No. Length mm



Mast (make):

Boom angle standard 88 °(yes/no) or ° or straightline dist. from head (mast) to clew (boom) m

Remarks: If you have reefing hooks on your gooseneck fitting as shown in **Fig 4 and 7**, we fit standard reefing rings on the sail - see **Fig 13**. If you have no reefing hooks on your gooseneck fitting we can fit a pressed eye with webbing band and two st. st. rings - see **Fig 14**.



Type of fitting : **A** (yes/no) **B** (yes/no) (no extra charge)

We can design standard reefing positions, or you can specify by giving us the following information - see **Fig.1**

No. of reefs Side for reefing ring :1st 2nd 3rd

Horizontal priority (when reefing points on boom are fixed)

R1h m R2h m R3h m (Back of mast to centre reefing eye leach see **Fig.1**)

or

Vertical priority (when reefing points on boom are variable)

R1v m R2v m R3v m (specify height of centre reefing eye luff above boom)

Battens: **Standard - we deliver the sail with battens**

Notes:



ROLLY TASKER SAILS SPAIN

Standard MAINSAIL AND MIZZEN

MEASUREMENT SHEETS

IN TOTAL 3 SHEETS SHEET 3

If your existing sail has a ballslide or other car system, then you can use these cars again on your new sail.

We will design the new sail for your car system if you supply us with the following measurements.

- N : (Fig 10) Back of mast to luff = mm
- O : (Fig 10) Centre axle slide to luff = mm
- P : (Fig 10) Back of mast to centre hole of headboard = mm
- R : (Fig 11) Available width for webbing = mm
- S : (Fig 11) Available width for fitting = mm

Batten slidecar system **Make:**

Model No.

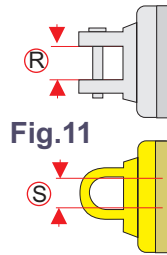
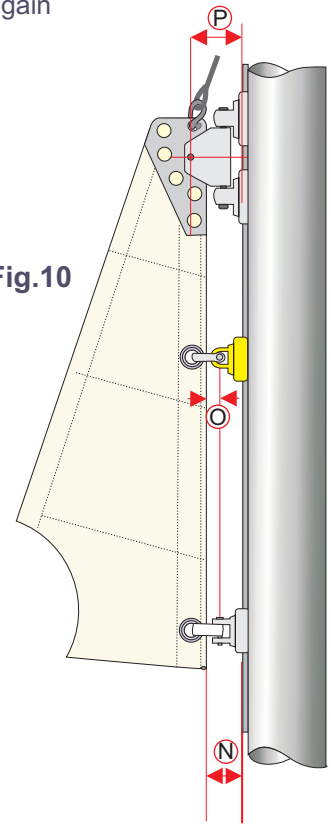


Fig.10



ORDER **DATE**

Boat name

Boat type and Make

Length **Weight**

Owner

Tel **Fax** **e-mail**

Address for Order Confirmation and Invoice

Address for sail delivery

Date for sail delivery

Other comments

We will send you the ORDER CONFIRMATION / INVOICE and our bank details within a few days.

VELAS ROLLY TASKER ESPAÑA Tel / Fax 971 23 59 81 Móvil 609 647 605 e-mail: info@velasrollytasker.es
Durabalone s.l. Cami de ses Penyes 16, E 07150 Andratx, Mallorca, Balears www.VelasRollyTasker.es