



ROLLY TASKER SAILS SPAIN

ROLL MAINSAIL AND MIZZEN MEASUREMENT SHEETS

IN TOTAL 2 SHEETS SHEET 1

Yellow Boxes Information **SHOULD** be given

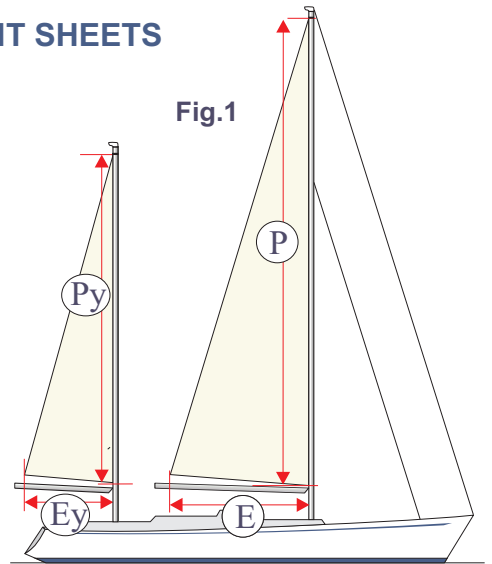
Blue Boxes Information optional

Rig dimensions in metres:

Main: P E

Mizzen: Py Ey

Notes:



Dimension of Main and Mizzen in metres:

(P Luff = max. length shackle to shackle Fig 1 and Fig 4) (E Foot measured from back of R/F profile to clew ring / block Fig 1 and Fig 5)

Mainsail: P Luff E Foot Weight gr Area m²

Mizzen: Py Luff Ey Foot Weight gr Area m²

Sailcloth: Standard is Dacron (yes/no) or: High Aspect (yes/no) or Cruising Laminate (yes/no)

Cut: Standard is Crosscut (yes/no) or: Two-ply Leach (yes/no) or Bi-radial (yes/no)

or: Tri-radial (yes/no) or Crescent Cut (yes/no)

Notes:

Sail Number: (yes/no) No. Flo Stripe: (yes/no) Colour: black / blue / red

Standard: we deliver the Sail with a Clew Ring (yes/no) (Fig 4)

Extra: with a Clewblock (yes/no) (Fig 5)

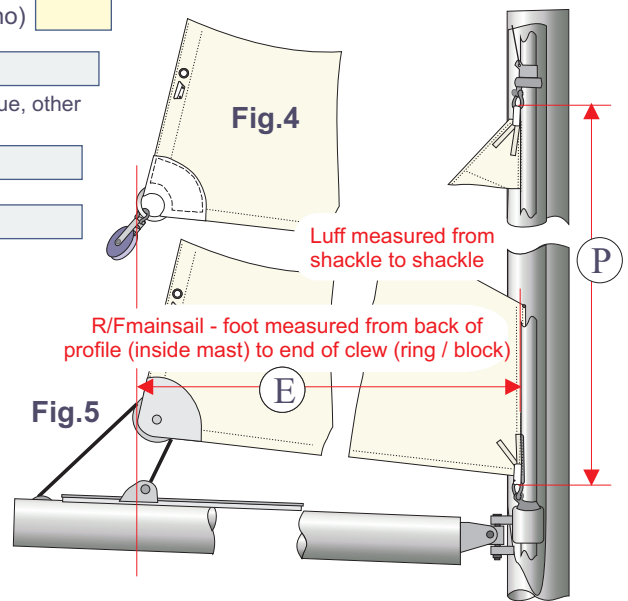
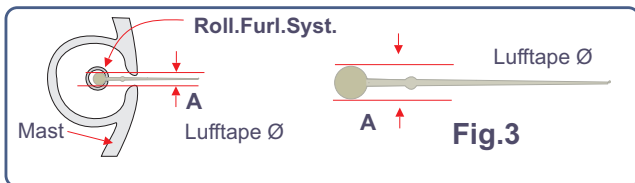
With a Clew - UV Suncover (yes/no)

Colour white (yes/no) or coloured
black, blue, red, dark blue, other

Roller Furl System Make:

Model No.

Lufftape (boltrope) Fig. 3 diameter A= mm



Notes:



ROLLY TASKER SAILS SPAIN

ROLL MAINSAIL AND MIZZEN MEASUREMENT SHEETS

IN TOTAL 2 SHEETS **SHEET 2**

ORDER **DATE**

Boat name

Boat type and Make

Length **Weight**

Owner

Tel **Fax** **e-mail**

Address for Order Confirmation and Invoice

Address for sail delivery

Date for sail delivery

Other comments

We will send you the ORDER CONFIRMATION / INVOICE and our bank details within a few days.

VELAS ROLLY TASKER ESPAÑA Tel / Fax 971 23 59 81 Móvil 609 647 605 e-mail: info@velasrollytasker.es
Durabalone s.l. Cami de ses Penyes 16, E 07150 Andratx, Mallorca, Balears www.VelasRollyTasker.es